

BTS3BE01600

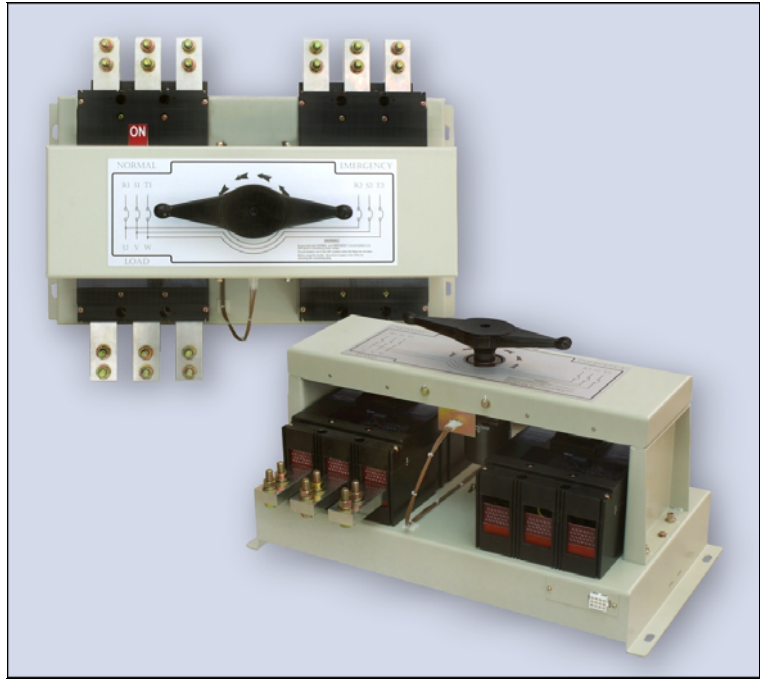
BTS4BE01600

MCCB Type Transfer Switch

Rated Current 800~1600A Voltage 100~600VAC

Features

- High Short Circuit Breaking Capacity
- Incorporate OCPD* Design
- Complies with IEC60947-6 requirements**
- MCCB Has Auxiliary Limit Switch Inside
- Reliable Motor-Operated Transfer Mechanism
- Molded Insulating Manual Handle
- PVC-Coated Bus Bar > 3KV Insulation
- With Mechanical Interlock
- Includes Plug-in Connector, For Simple Hook-up to Controller

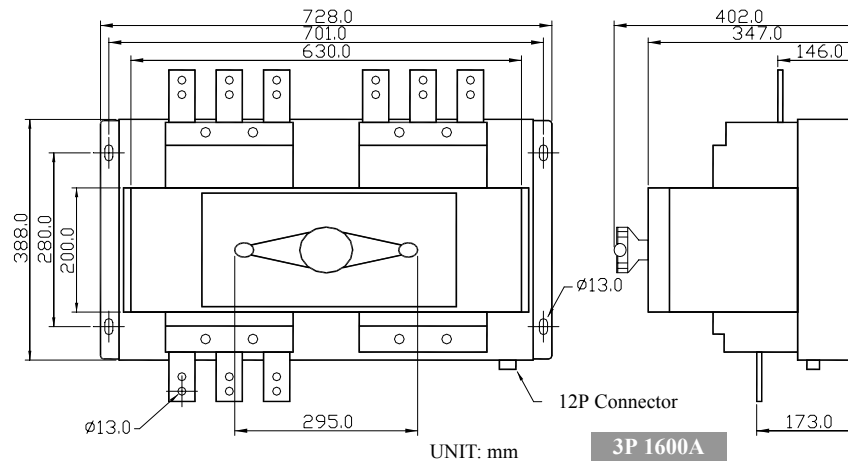


BTS Rated Operating Current & AC Rated Breaking Capacity

BTS Type	Pole	Rated Current(A)						AC Rated Breaking Capacity					
		Ambient Temperature 40						Sym r.m.s(KA)	IEC 60947-2 Icu/Ics				
		800	900	1000	1200	1400	1600	240V	380V	415V	440V	500V	690V
BTS3BE1600	3P	800	900	1000	1200	1400	1600	125	100	85	85	65	45
BTS4BE1600	4P	800	900	1000	1200	1400	1600	125	100	85	85	65	45

*For special high breaking capacity requirements, please contact us.

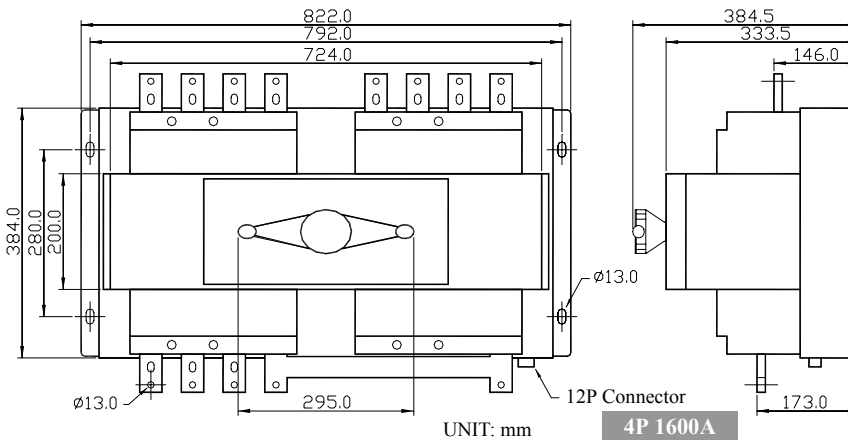
Mechanical Specifications



***OCPD**
Over Current Protection Device

****IEC60947-6 Class CB**
ATS provided with over current trip and the main contacts of which are capable of making and are intended for breaking short circuit currents.

****IEC60947-6 Utilization Category AC-33A**
1. Frequent operations.
2. Motor loads or mixed loads including motors, resistive loads and up to 30% incandescent lamp.



***Customized BTS Available**
Please provide the required specification and specified MCCB type (if there is any), we will evaluate the mechanical capability for customers.

Please link to <http://www.mcpersoncontrols.com> for detailed manual.