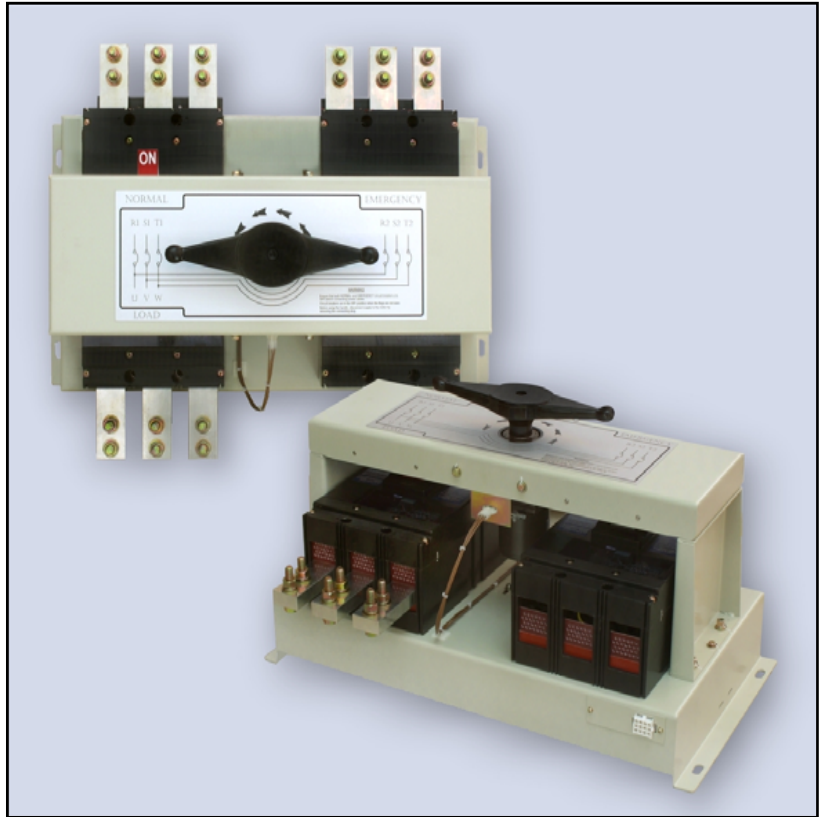


# MCS3BE02000

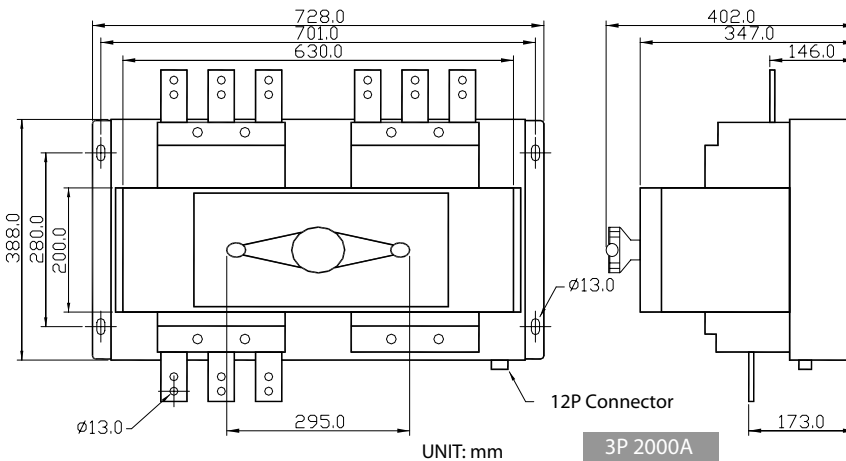
Molded Case Switch Type ATSSwitch  
 Rated Current 2000 A Voltage 100~600VAC

## Features

- High Short Circuit Capacity
- Complies with IEC60947-6 requirements\*\*
- MCS Has Auxiliary Limit Switch Inside
- Reliable Motor-Operated Transfer Mechanism
- Molded Insulating Manual Handle
- PVC-Coated Bus Bar > 3KV Insulation
- With Mechanical Interlock
- Includes Plug-in Connector , For Simple Hook-up to Controller



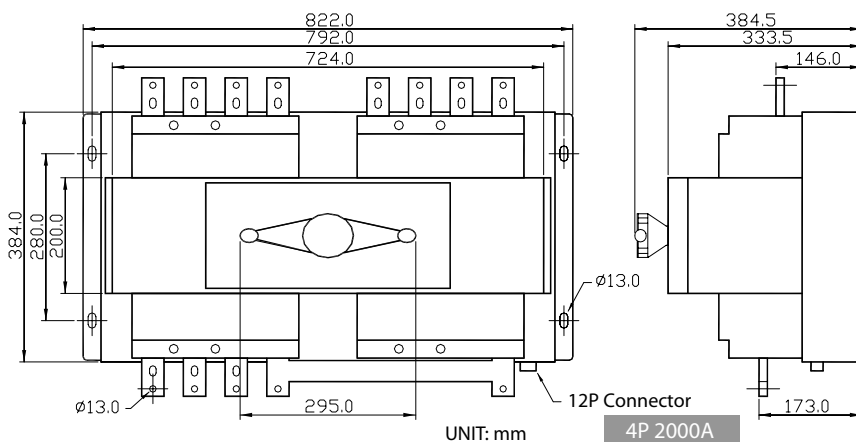
## Mechanical Specifications



Not an Over Current Protection Device

\*\*IEC60947-6 Utilization Category AC-33A

1. Frequent operations.
2. Motor loads or mixed loads including motors, resistive loads and up to 30% incandescent lamp.



\*Customized BTS Type Available

Please provide the required specification and specified MCCB type (if there is any), we will evaluate the mechanical capability for customers.