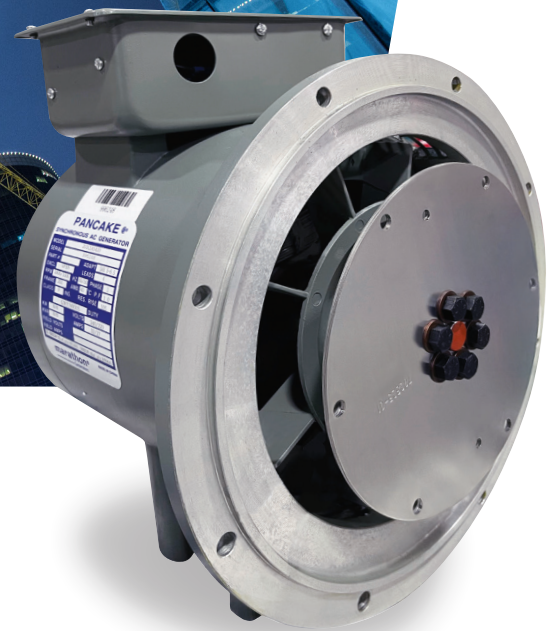


# PANCAKE GENERATORS FOR SPACE CRITICAL APPLICATIONS



Known for their field-proven reliability and compact size, Marathon<sup>®</sup>'s Pancake generators deliver power performance and unmatched longevity, on the job or on the road.

## LIGHT TOWER APPLICATIONS

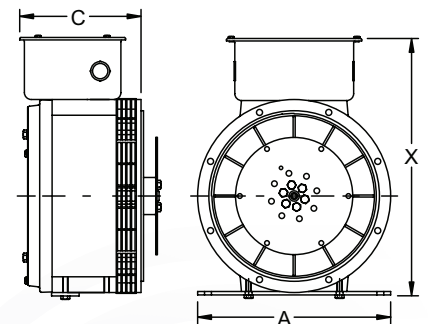
CAPACITOR REGULATED, 5.4 - 8 KW, 240/120 or 120 VOLT, 1500 & 1800 RPM, SINGLE PHASE

When the crew needs to work through the night, the power does too. Lightweight, mobile and robust, these units are ideal for construction sites, mining operations, and rental market.

- Available as 4-lead reconnectable
- Capacitor voltage regulation to within 5% of the rated load
- Class F insulation system recognized under UL<sup>®</sup>\* 1446

## 240/120 or 120 VOLT

Base Models	rpm	kW @ 80°C R/R	kW @ 105°C R/R	Dimensions		
				4 Leads	A- Width - in (cm)	C- Depth - in (cm)
201CSA5411	1800	5.4	6	8.17 (208)	9.72 (247)	15.69 (399)
201CSA5420	1800	7.2	8	8.17 (208)	10.71 (272)	15.69 (399)
201CSA5422	1800	5.4	6	8.17 (208)	10.71 (272)	15.69 (399)



\*UL is a trademark or trade name of Underwriters Laboratories and is not owned by or under the control of Regal Rexnord Corporation.



# PANCAKE GENERATORS

## MOBILE APPLICATIONS

BRUSHLESS, EXTERNALLY VOLTAGE REGULATED  
4.5 - 22.5 KW, 240/120, OR 120 VOLT, SINGLE PHASE

Marathon® Pancake generators deliver reliable performance in a rugged, lightweight, cast-aluminum-alloy frame, designed with the shortest length possible in a brushless, synchronous AC generator.

With a reputation for superior longevity, Pancake generators are ideal for mobile applications such as motor coaches, recreational vehicles and trailers.

- Available as 4-lead reconnectable
- Three-post terminal block in the top-mounted connection box for easy connection
- Single-bearing stock models afford easy mounting to engines with either SAE #5 or #4 flywheel housing and standard SAE 6.7", 7.5" and 8" flexible disc couplings.
- Class F insulation system recognized under UL®\*1446.



Base Model	0.8 Power Factor Lagging					1.0 Power Factor				
	Continuous			Standby		Continuous			Standby	
	NEMA®* B 80°C R/R	NEMA F 105°C R/R	NEMA H 125°C R/R	NEMA F 130°C R/R	NEMA H 150°C R/R	NEMA B 80°C R/R	NEMA F 105°C R/R	NEMA H 125°C R/R	NEMA F 130°C R/R	NEMA H 150°C R/R
331CSA3018	4.5	5	N/A	5.5	N/A	8	8.5	N/A	9	N/A
332CSA3020	6	6.5	N/A	7	N/A	10	10.5	N/A	11	N/A
333CSA3024	9	10	N/A	10	N/A	12.5	15	N/A	16.5	N/A
334CSA/B3028	11.5	13	N/A	14.5	N/A	17	20	N/A	22.5	N/A

CSA models are SAE 5, CSB models are SAE 4

**marathon®**  
Generators

*Reliable power ... for the long run*

## Industrial Systems Regal Rexnord

100 East Randolph Street  
Wausau, WI 54402-8003  
Phone: 715-675-3359  
Fax: 715-675-8026  
www.regalrexnord.com

The proper selection and application of products and components, including assuring that the product is safe for its intended use, are the responsibility of the customer. To view our Application Considerations, please visit <https://www.regalrexnord.com/Application-Considerations>

To view our Standard Terms and Conditions of Sale, please visit <https://www.regalrexnord.com/Terms-and-Conditions-of-Sale> (which may redirect to other website locations based on product family).

The following trademarks are not owned by or under the control of Regal Rexnord Corporation: NEMA is a trademark or tradename of National Electrical Manufacturers Association; UL is a trademark or trade name of Underwriters Laboratories.

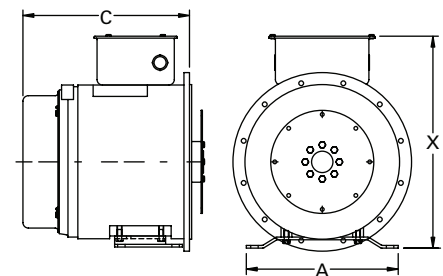
"Regal Rexnord" is not indicative of legal entity.

Regal and Marathon are trademarks and/or tradenames of Regal Rexnord Corporation or one of its affiliated companies.  
©2022 Regal Rexnord Corporation. All Rights Reserved.

MCSPP22053E • Form # SB0306E

Joval Industrial Miami FL USA

[www.jovalindustrial.com](http://www.jovalindustrial.com)



Frame	A- Width - in (cm)	C- Depth - in (cm)	X- Height - in (cm)
331	14.0 (356)	10.6 (269)	19.0 (483)
332	14.0 (356)	11.6 (295)	19.0 (483)
333	14.0 (356)	14.0 (356)	19.0 (483)
334	14.0 (356)	14.4 (366)	19.0 (483)

**RegalRexnord®**

Contact us Today