

CAD	FIRMA	DATA
DIS.	PELLIZZARI	22.09.03
CONTR./C.UFF.	GROppo	22.09.03
CONTR.NOR.	VACCARETTI	22.09.03

Indice	Modifiche	Firma	Data	COMI./C.UFF.	CONT.NOR.

Indice	Modifiche	Firma	Data	COMI./C.UFF.	CONT.NOR.
A	MOD. QUOTA L'EDIM. SCATOLA MORIS.	COCCO	16.07.04		

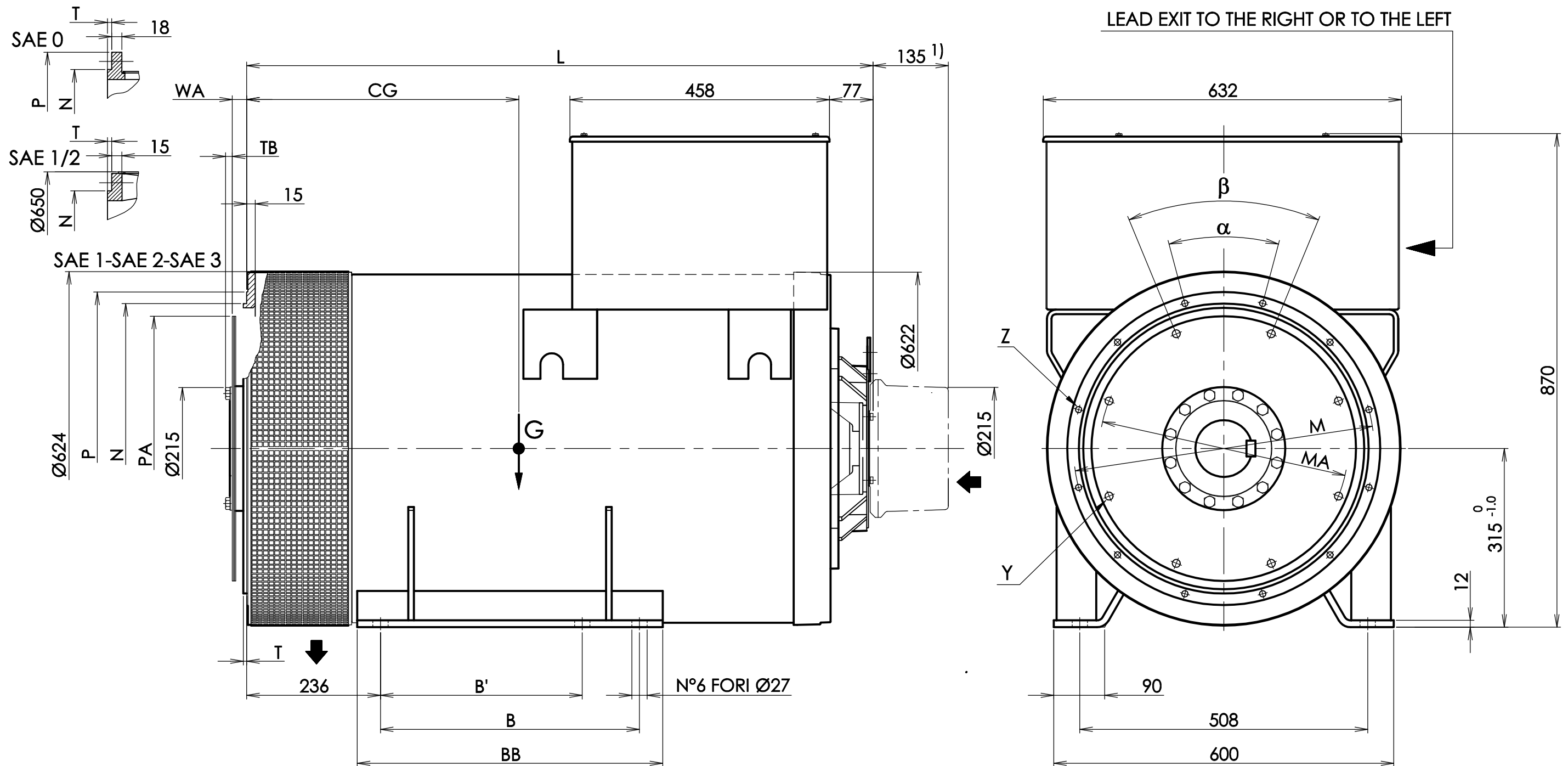
DIMENSIONS IN mm

1) PMG OPTIONAL

G = CENTER OF GRAVITY

CHANGES RESERVED

LEAD EXIT TO THE RIGHT OR TO THE LEFT



TYPE	DIMENSIONS				
	L	B'	B	BB	CG
MJB 315 SA	945	267	368	450	410
MJB 315 SB					440
MJB 315 MA	1105	356	457	540	470
MJB 315 MB					505

CONNECTINGS					
COUPLING	FLANGE				
	SAE J620	2	1	1/2	0
11 1/2	●				
14		●	●	●	
16			●	●	
18				●	

DIMENSIONS																
FLANGE								COUPLING								
SAE J617	N 0 -0.13	P	M	T	Z N°	Ø	α	SAE J620	PA	MA	Y N°	Ø	β	WA	TB	
3	409.58	451	428.62	5	12	11.5	30°									
2	447.68	490	466.72	5	12	11.5	30°	11 1/2	352.42	333.4	8	11	45°	39.6	12	
1	511.18	552	530.22	6	12	11.5	30°	14	466.72	438.2	8	14	45°	25.4	12	
1/2	584.20	648	619.20	6	12	14	30°	16	517.52	489.0	8	14	45°	15.7	15	
0	647.70	711	679.50	6	16	14	22°30'	18	571.50	542.9	6	18	60°	15.7	15	



SYNCHRONOUS GENERATORS MJB 315
SINGLE BEARING CONSTRUCTION B2

M00AV414B

A