

DATA	04.11.03
FIRMA	FAGGION
CAD	
DIS.	CONTR./C.UFF.
CONTR.NR.	

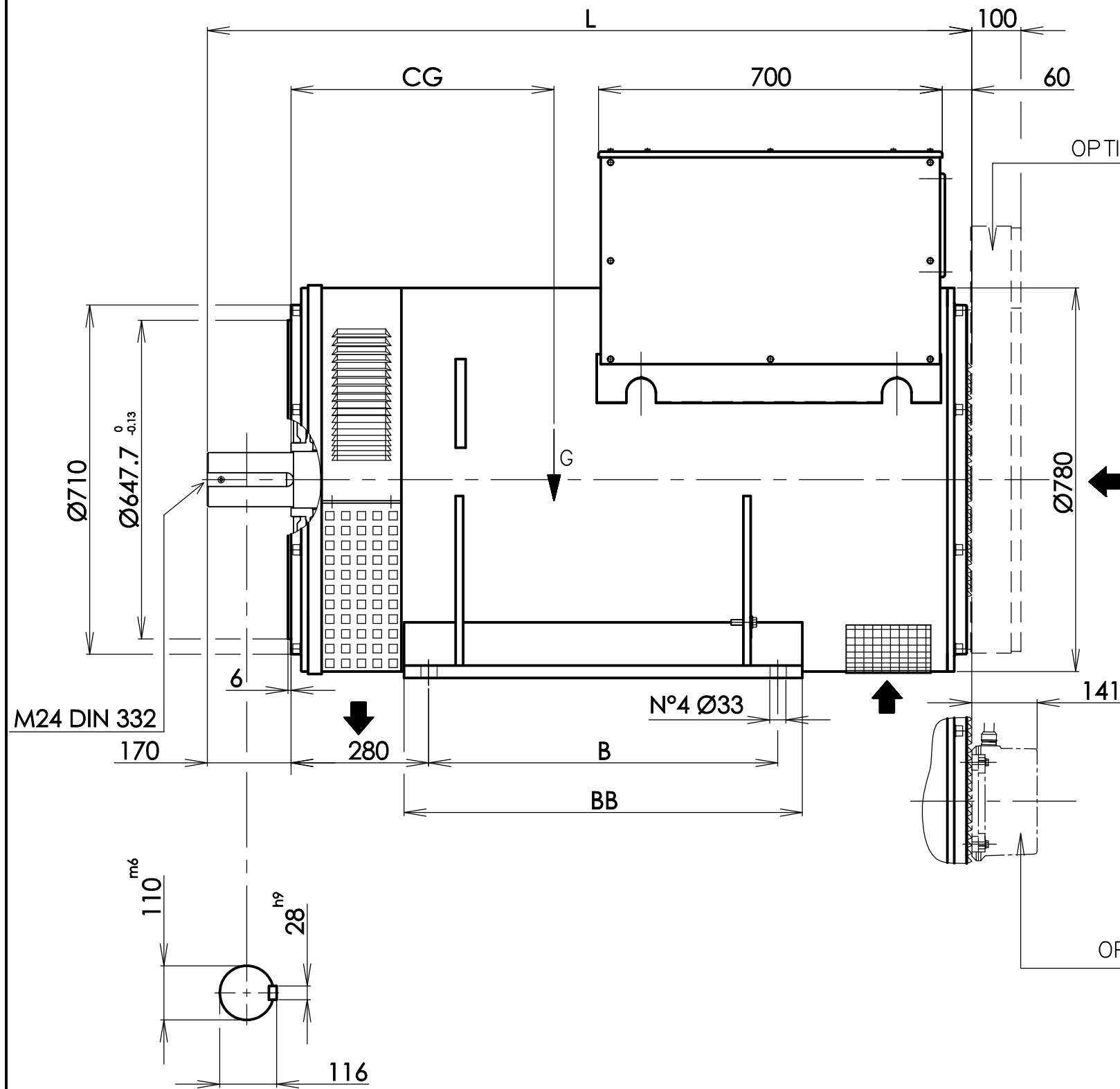
CONT.NR.	
CONTR./C.UFF.	
DATA	
FIRMA	
MODIFICHE	
INDICE	

CONT.NR.	
CONTR./C.UFF.	
DATA	
FIRMA	
MODIFICHE	
INDICE	

DIMENSIONS IN mm

G = CENTER OF GRAVITY

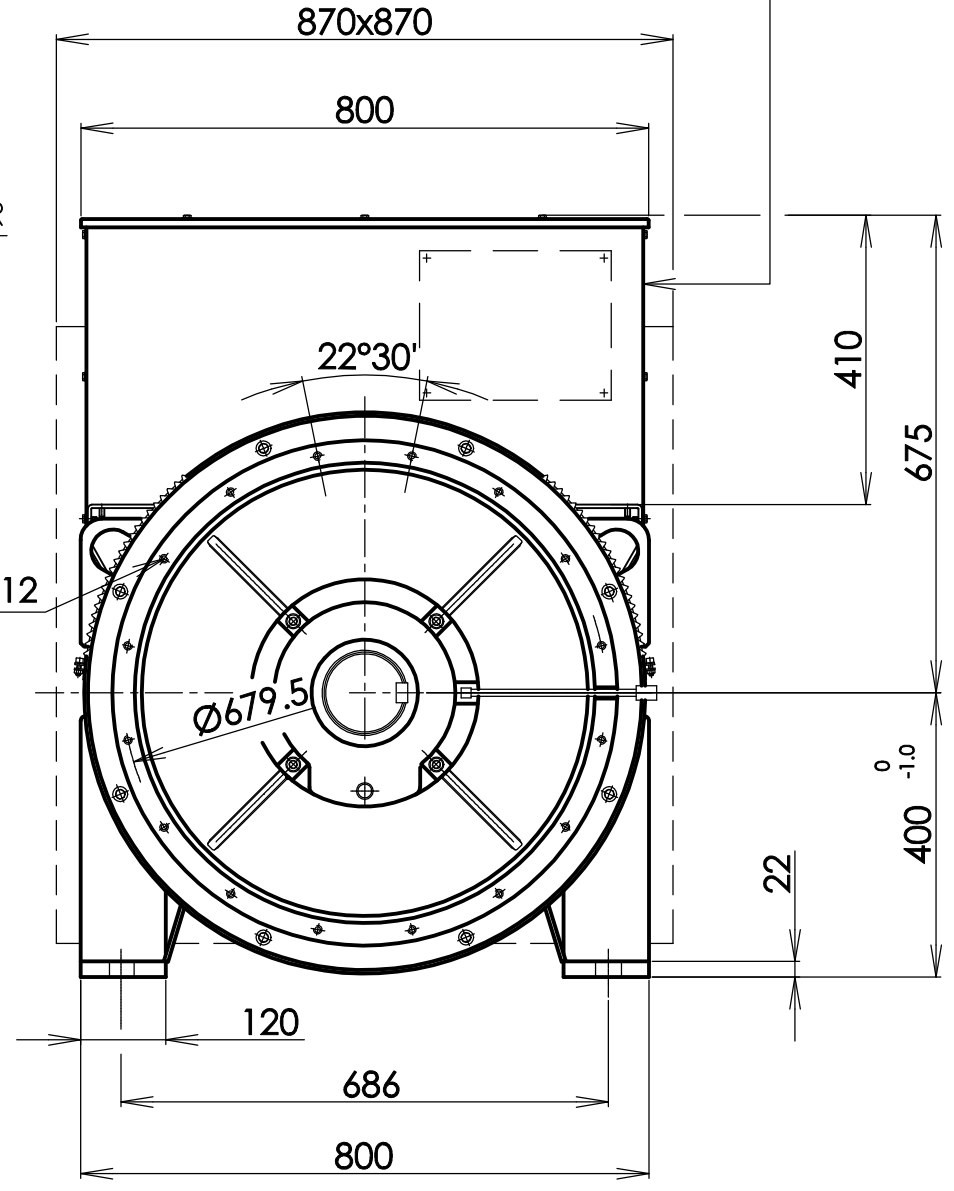
CHANGES RESERVED



OPTIONAL AIR FILTER

OPTIONAL PMG

LEAD EXIT TO THE RIGHT OR TO THE LEFT



TYPE	L	B	BB	CG
MJB 400 SA	1370	560	660	500
MJB 400 SB	1370	560	660	530
MJB 400 MA	1570	710	810	580
MJB 400 MB	1570	710	810	630
MJB 400 LA	1770	900	1000	680
MJB 400 LB	1770	900	1000	730



SYNCHRONOUS GENERATORS
DOUBLE BEARING CONSTRUCTION

MJB 400
IM B34 (IM 2101)
SAE 0

M00AV440B